

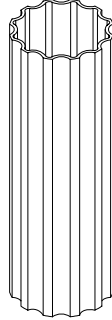
### Base/Pole Compatibility



**DLP24A4**



**Smooth Pole  
4" Dia  
PARS**



**Fluted Pole  
4" Dia  
PARF**

For use with PARF and PARS Poles only

## DLP Series

### Cast Aluminum Decorative Clamshell Bases

Decorative Clamshell Bases are designed to create a clean decorative look and cover pole base anchoring hardware. Three styles are available in matching finish to coordinate with pole selection.

#### Specifications and Features:

##### Clamshell Bases:

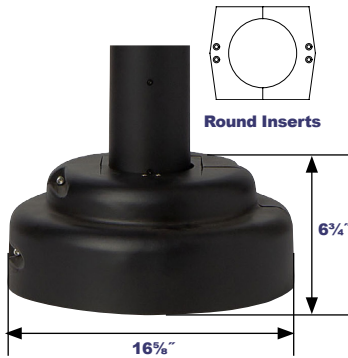
Die cast aluminum OR A356 alloy sand cast aluminum, Stainless Steel Hardware. CBCR and CBCS include sets of inserts that allow use on 4" and 5" square or round poles, and 120mm square or round tall bollards.

##### Finish:

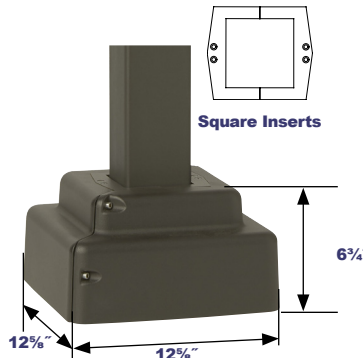
Textured architectural powdercoat finish, baked to ensure maximum paint adhesion, hardness and durability.

##### Pole Fit:

Bases are designed to fit poles based on dimensions shown. Pole combinations shown are based on fit over anchor base on each type of pole.



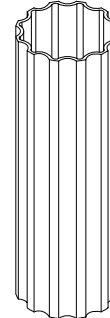
**CBCR**



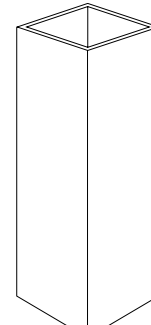
**CBCS**



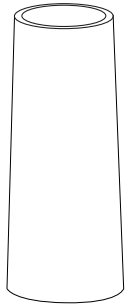
**Smooth Pole  
4" PARS  
5" PSRA  
120mm Dia  
PSRA, PARS**



**Fluted Pole  
4" Dia  
PARF**



**Smooth Pole  
4" Square,  
5" Square,  
120mm Square  
PSSS**



**Tapered Pole  
5" PRTS  
5.7" PRTS  
6" PRTS  
120mm Dia  
PRTS**

Can be used with PSRA, PARS, PARF, PRTS, and PSSS Poles.

**Order Information Example:** DLP24A4B

Model	Color
DLP24A4=24" Tall Fluted Narrow Clamshell Base (Fits PARF and PARS Poles ONLY) CBCR=Round Base CBCS=Square Base	B=Black (DLP24A4, CBCR, CBCS Only) P=Platinum (CBCR Only) Z=Bronze (CBCR and CBCS Only) C=Custom (Consult Factory)