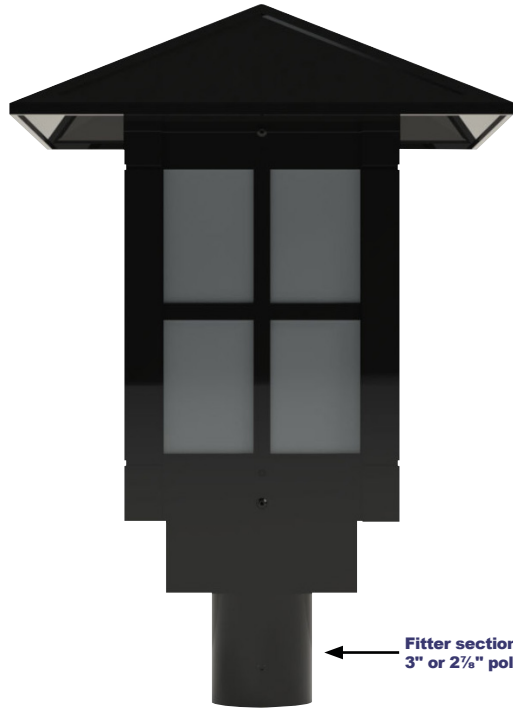


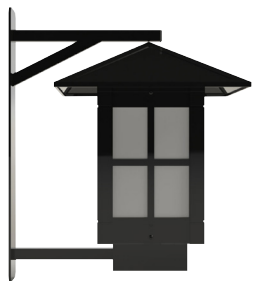
Del Ray 2

LED Post Top, Pendant, Wall Mount



← Fitter section slips over 3" or 2 1/4" pole or tenon

Post Mount (Standard) - Choose "N" Under Mounting Options Shown with 4 Pane Panel Option



Wall Mount- Choose "WM" Under Mounting Options Shown with 4 Pane Panel Option



Pendant Mount- Choose "PEN" Under Mounting Options Shown with 4 Pane Panel Option

Specifications and Features:

Radiant™ LED

- Conformal Coating LED light engine
- CCT: Standard-3000K, 4000K, & 5000K
- 2700K, Amber, LPS (1800K) Offered for Some Wattages - Consult Factory
- Static Colors Available - Contact Factory

Distribution

- Types II, III, IV, V
- Full Cutoff

Electrical

- Electronic Driver, 120-277V, 50/60Hz or 347/480V, 50/60Hz
- 0-10v Dimmable Driver
- Standard Surge Protection Included (6kV Line-Line; 10k-V Line-Earth)

Controls (Optional)

- Button Eye Photo Control (PC)
- Housing Side Shield (H)

Housing

- Cast Aluminum Housing & Stamped Cast Aluminum Roof. Post Top is 3" Slip Fitter.

Finish

- Super Durable Polyester Powder Coat Finish. Custom Finishes Available, Including Patinas and All RAL Colors.

Listings & Ratings

- ETL Listed to UL 1598 Standard for Wet Location.
- LED is IP66 Rated

Warranty

- 5 Year Limited Warranty

EPA: 1.44
Weight: 30 lbs (Max.)



Order Information Example: DEL2CA60W4KU3N4PNBK

DEL2										
Model	Globe/Lens	Wattage	CCT	Voltage	Optics	Mounting	Panes	Options	Finish	
DEL2=Del Ray 2	CA =Clear Acrylic CP =Clear Polycarbonate FA =Frosted Acrylic FP =Frosted Polycarbonate WA =White (Opal) Acrylic PA =Pattern Acrylic DA =Seeded Acrylic	10W =10w 15W =15w 20W =20w 30W =30w 40W =40w 50W =50w 60W =60w	3K =3000K 4K =4000K 5K =5000K	U =120-277V H =347/480V	2 =Type II 3 =Type III 4 =Type IV 5 =Type V	N =None* PEN =Pendant Mount WM =Wall Mount *Standard Post Mount	NP =No Panes 4P =4 Panes 6P =6 Panes MP =Mini Panes AP =Arched Panes CP =Custom Pane	N =None PC =Button Eye Photo Control RG =Ring Mount* *Post Top Only	STANDARD FINISHES BK =Black BZ =Bronze DBZ =Dark Bronze WH =White GR =Green SM =Silver Metallic GY =Light Gray TBK =Textured Black CC =Custom Color (Consult Factory)	

Del Ray 2

LED Post Top, Pendant, Wall Mount



Photometric Data



8" Radiant™



6" Radiant™

RADIANT™ LED LIGHT ENGINE SPECIFICATIONS:

Lumen Output for Del Ray 2								
Wattage (Catalog Logic)	10w (10W)	15w (15W)	20w (20W)	30w (30W)	40w (40W)	50w (50W)	60w (60W)	
Radiant Size (DIA.)	6"	6"	6"	6"	8"	8"	8"	
Input Watts	10.2	14.6	20.4	30.6	40.8	51.0	56.6	
Optic	CCT	Delivered Lumens						
2 = Type II Clear, Frosted, or Ribbed Lens	3K	1,344	1,763	2,352	3,527	4,703	5,878	7,055
	4K	1,371	1,800	2,400	3,600	4,800	6,001	7,200
	5K	1,392	1,828	2,437	3,655	4,874	6,091	7,310
	BUG Rating	B0-U2-G1	B1-U2-G1	B1-U2-G1	B1-U2-G1	B1-U3-G1	B1-U3-G1	B2-U3-G2
3 = Type III Clear, Frosted, or Ribbed Lens	3K	1,342	1,760	2,348	3,521	4,695	5,869	7,043
	4K	1,369	1,797	2,396	3,595	4,792	5,991	7,188
	5K	1,390	1,825	2,433	3,649	4,866	6,081	7,298
	BUG Rating	B1-U2-G1	B1-U2-G1	B1-U2-G1	B1-U2-G1	B2-U3-G2	B2-U3-G2	B2-U3-G2
4 = Type IV Clear, Frosted, or Ribbed Lens	3K	1,312	1,721	2,296	3,443	4,591	5,739	6,887
	4K	1,339	1,758	2,343	3,515	4,686	5,858	7,029
	5K	1,359	1,784	2,379	3,569	4,758	5,947	7,136
	BUG Rating	B1-U2-G1	B1-U2-G1	B1-U2-G1	B1-U2-G1	B1-U3-G2	B2-U3-G2	B2-U3-G2
5 = Type V Clear, Frosted, or Ribbed Lens	3K	1,373	1,801	2,402	3,603	4,804	6,005	7,207
	4K	1,401	1,839	2,452	3,678	4,903	6,130	7,355
	5K	1,423	1,867	2,489	3,734	4,979	6,222	7,467
	BUG Rating	B1-U2-G1	B1-U2-G1	B2-U2-G1	B2-U2-G1	B3-U3-G1	B3-U3-G1	B3-U3-G2
5 = Type V with White-Opal Lens	3K	964	1,446	1,928	2,893	3,857	4,821	5,785
	4K	984	1,477	1,969	2,953	3,937	4,921	5,906
	5K	999	1,499	1,998	2,998	3,997	4,997	5,996
	BUG Rating	B1-U3-G1	B1-U3-G1	B1-U3-G2	B1-U4-G2	B1-U4-G2	B2-U4-G3	B2-U5-G3

Please refer to the fixture's IES file for detailed information. Subject to change.

Del Ray 2

LED Post Top, Pendant, Wall Mount



Style Options



6 Pane Option (6P)



Arched Panel Option (AP)



**Custom Panel Option
(Example)**



**Custom Panel Option
(Example)**



Mini-Pane Option (MP)



No Pane Option (NP)



4 Pane Option (4P)



**Chain Mount
(Order Separately)**



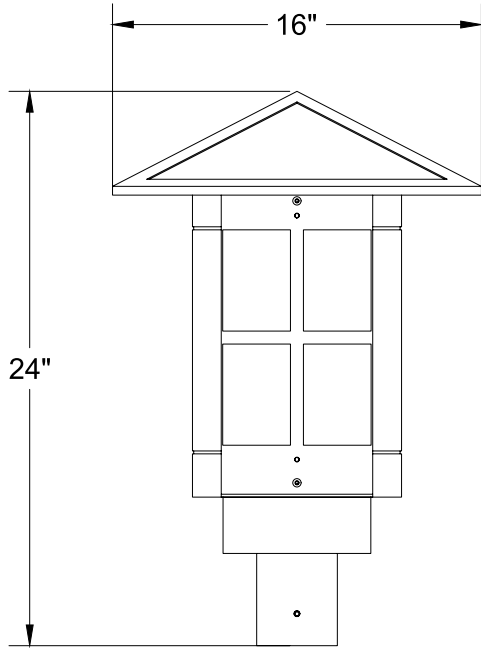
**Swivel Stem Mount
(Order Separately)**

Del Ray 2

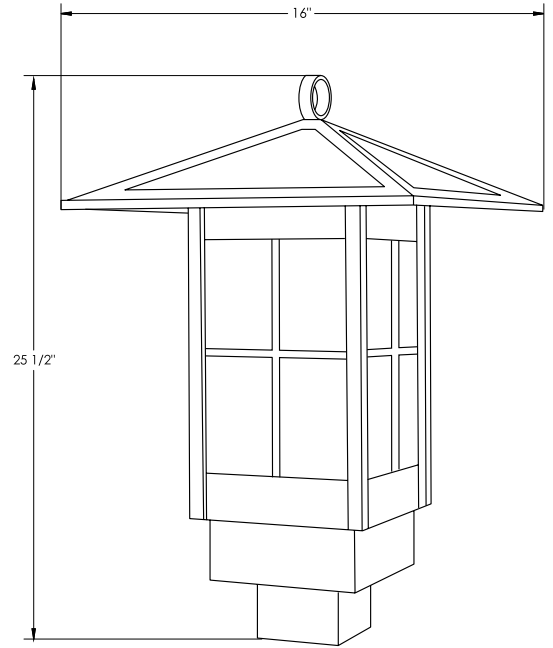
LED Post Top, Pendant, Wall Mount



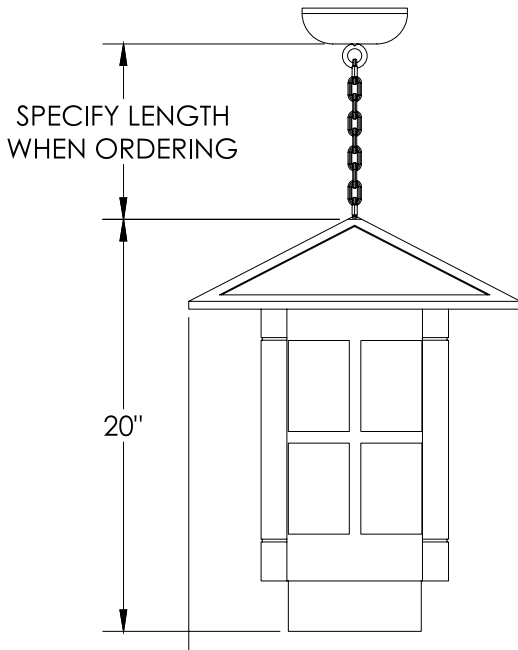
Dimensions



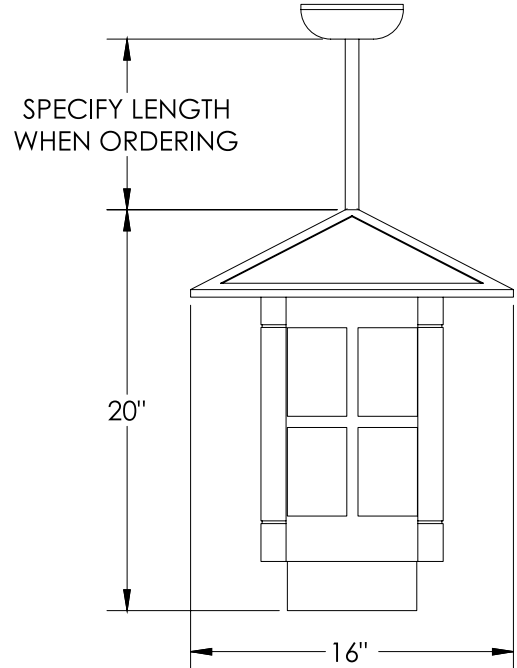
Post Mount (Standard)



Post Mount with Ring Option (Standard)



**Chain Mount
(Order Separately)**



**Swivel Stem Mount
(Order Separately)**