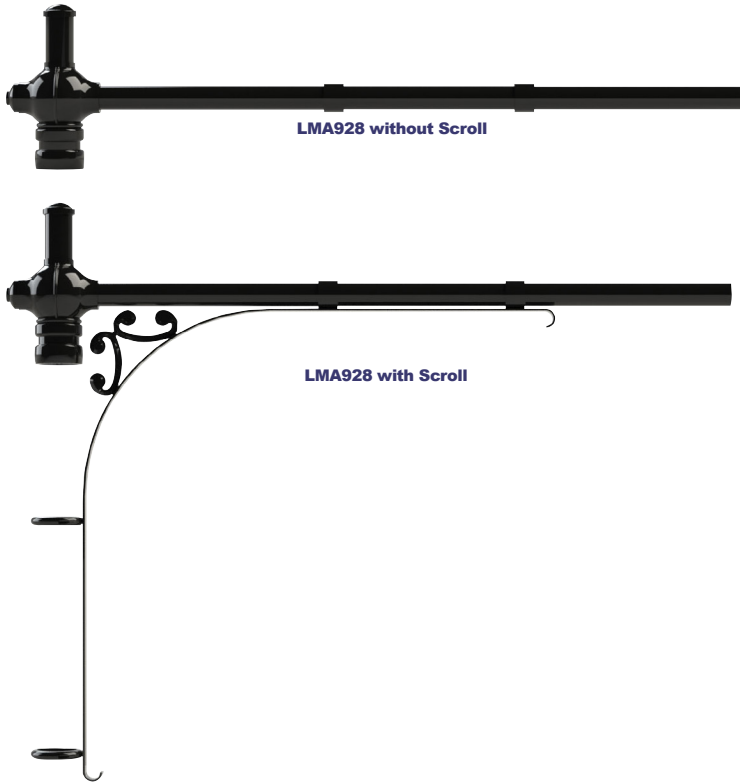


LMA928 Roadway Arm



Specifications and Features:

Specifications

Arms Are Constructed of Cast Aluminum.

Mounting

Arms are Tenon Mounted to Pole. A Tall Tenon is Required. If using a 1882 Lighting Pole, Choose Tenon T355.

Requirements

Decorative Luminaire Mounting Device (Ordered Separately on the Last Page) is Required For This Arm. This Device is Used for Pendant Mounted Fixtures Only. Horizontally Mounted Fixtures Fit Directly to a 2 3/8" Slipfitter.

Arm Orientation

Standard Double Arm Orientation is 180°. For Custom Orientation, Please Contact the Factory.

Finish

Super Durable Polyester Powder Coat Finish. Custom Finishes Available, Including Patinas and All RAL Colors.

Warranty

5 Year Limited Warranty

Weight Load Per Arm: 70 lbs.

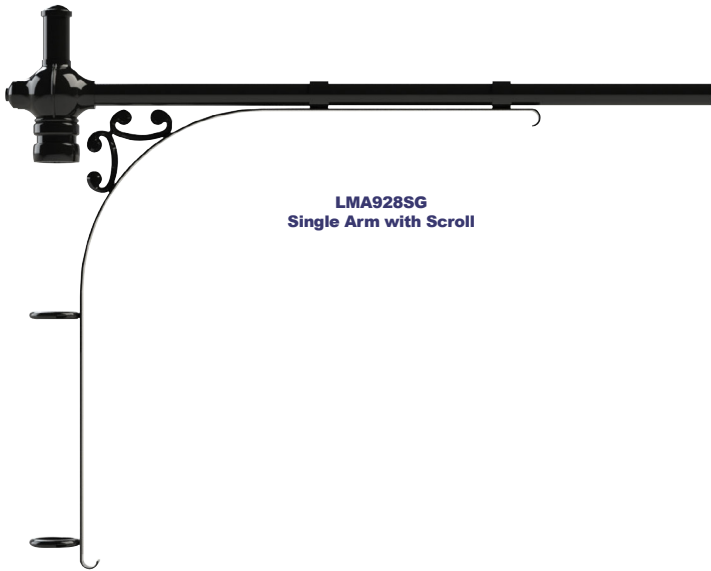
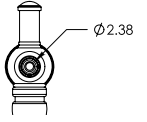
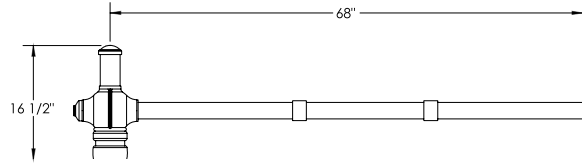
Order Information Example: LMA928SGPMPENSCR BK

LMA928	# of Arms	Arm Mount	Fixture Mount	Options	Finish
	SG=Single DB=Double	PM=Post/Pole Mount	TEN=Horizontal Tenon Mount PEN=Pendant Mount* *Must Order Separate Mounting Device (Last Page)	N=None SCR=Scroll	STANDARD FINISHES BK=Black BZ=Bronze DBZ=Dark Bronze WH=White GR=Green SM=Silver Metallic GY=Light Gray TBK=Textured Black CC=Custom Color (Consult Factory)

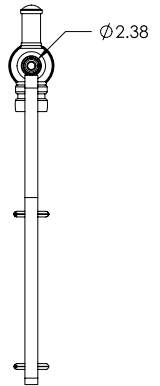
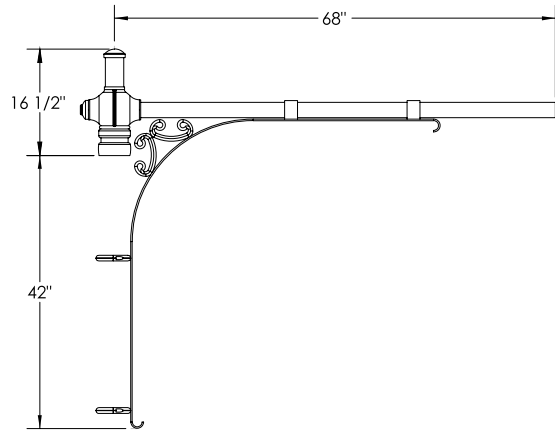
Dimensions



LMA928SG
Single Arm without Scroll



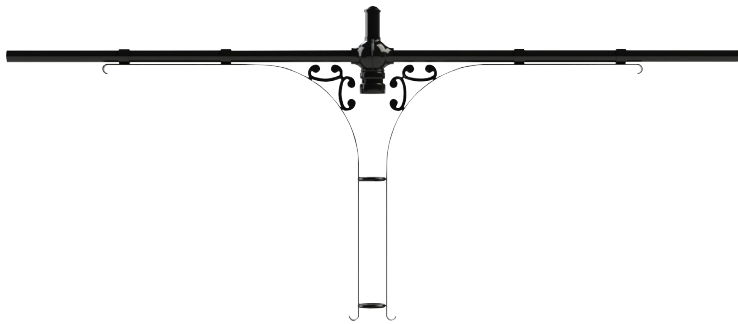
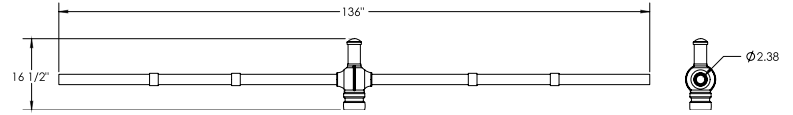
LMA928SG
Single Arm with Scroll



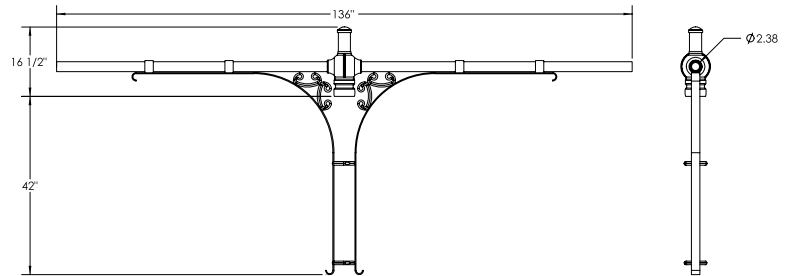
Dimensions



LMA928DB
Double Arms without Scroll



LMA928DB
Double Arms with Scroll

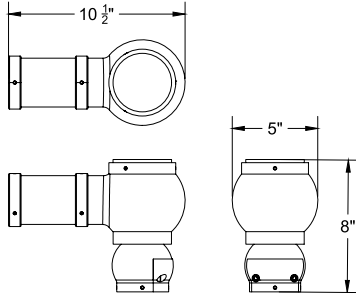


PMD

Decorative Luminaire Mounting Arm



PMD002RD



Specifications and Features:

Specifications

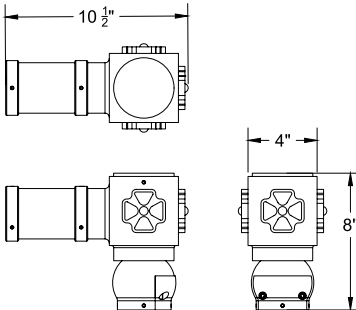
All Mounting Devices Fit 2 3/8" Horizontal Oriented Arms Attached with Six 1 1/4"-20 Set Screws. Mounting Devices (Knuckles) Are Used as Levelers for Pendant Mounted Luminaires.

Options (for PMD001 & PMD002 Only)

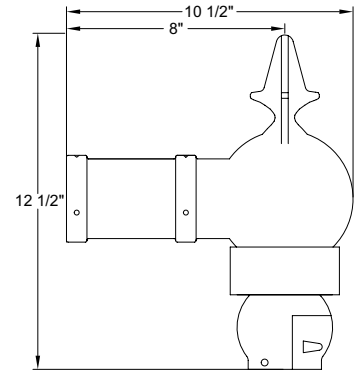
- 3-Pin Twist-Lock Receptacle (PCR3). Sensor by Others.
- 7-Pin Twist-Lock Receptacle (PCR7). Sensor by Others.
- Finial



PMD001SQ



PMD001SQ
Shown with Optional
BA Finial (Adder)



PMD003-CF

Order Information Example:

PMDA001SQNNBK

Models	Finial	Options	Finish
PMD001SQ =Square PMD002RD =Round PMD003CF =Round Casting with Integrated Finial	N =None BA =Ball Finial* AC =Acorn Finial* *PMD001 & PMD002 Only	N =None PCR3 =3-Pin Twist-Lock Receptacle* PCR7 =7-Pin Twist-Lock Receptacle* *PMD001 & PMD002 Only Photocell Not Included.	STANDARD FINISHES BK =Black BZ =Bronze DBZ =Dark Bronze WH =White GR =Green SM =Silver Metallic GY =Light Gray TBK =Textured Black CC =Custom Color (Consult Factory)