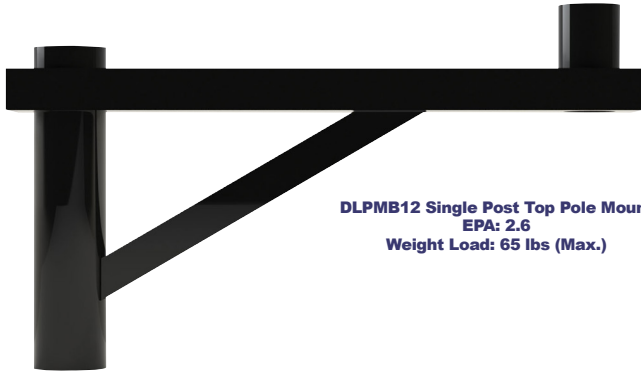


DLPMB12

Contemporary Arms



DLPMB12 Single Post Top Pole Mount
EPA: 2.6
Weight Load: 65 lbs (Max.)



DLPMB12 Double Pendant Pole Mount
EPA: 4.2
Weight Load: 65 lbs Per Arm (Max.)

Specifications and Features:

Specifications

1882 Lighting's Contemporary Arms are Constructed From Seamless Aluminum Tubing. These Products Include Factory Installed Rubber Grommets For Wireways, Press-On End Caps and Hub/Set Screw Shaft Mounting Connection for Easy Orientation Adjustment in the Field.

For all **Wall Mounted Arms**, Back Plates Are Not Predrilled at the Factory. This Allows Installation Contractors the Ability to Match Mounting Holes (By Contractor) to Specified Mounting Surfaces.

For **Post/Pole Mounted Arms**, a Standard 3" x 5½" Tenon is Required (1882 Lighting's T355).

Arm Orientation

Standard Double Arm Orientation is 180°. For Custom Orientation, Please Contact the Factory.

Finish

Super Durable Polyester Powder Coat Finish. Custom Finishes Available, Including Patinas and All RAL Colors.

Warranty

5 Year Limited Warranty

Order Information Example: DLPMB12SGPMTEMBK

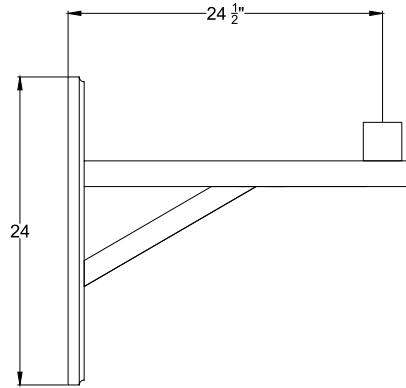
DLPMB12				
# of Arms	Arm Mount	Fixture Mount	Finish	
SG =Single DB =Double* *Not available for Wall Mount option	PM =Post/Pole Mount* WM =Wall Mount *T355 Required on Pole	TEN =Tenon Mount* PEN =Pendant Mount *3" Fitter Standard	STANDARD FINISHES BK =Black BZ =Bronze DBZ =Dark Bronze WH =White GR =Green SM =Silver Metallic GY =Light Gray TBK =Textured Black CC =Custom Color (Consult Factory)	

DLPMB12

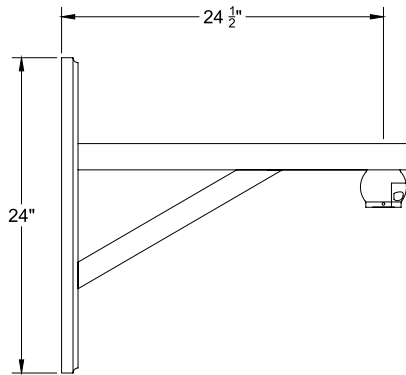
Contemporary Arms



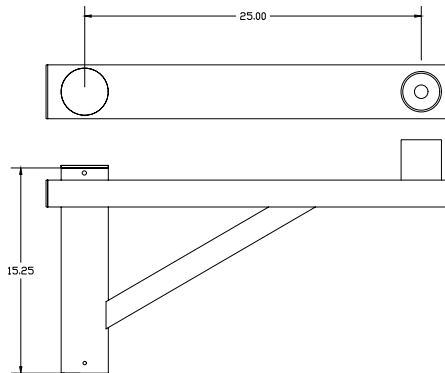
Dimensions



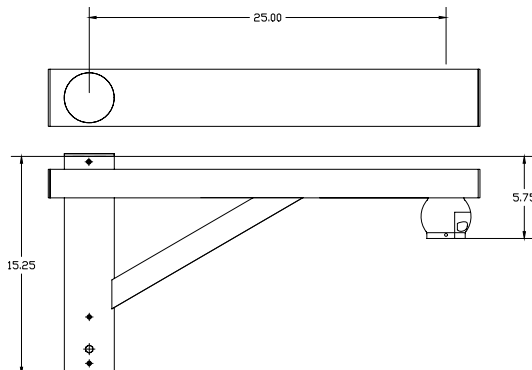
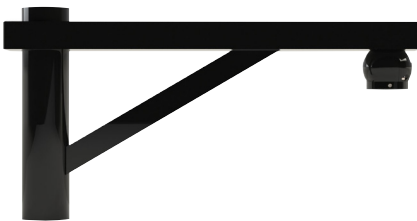
Single Post Top Wall Mount
DLPMB12SGWMTEN



Single Pendant Wall Mount
DLPMB12SGWMPEN



Single Post Top Pole Mount
DLPMB12SGPMTEN



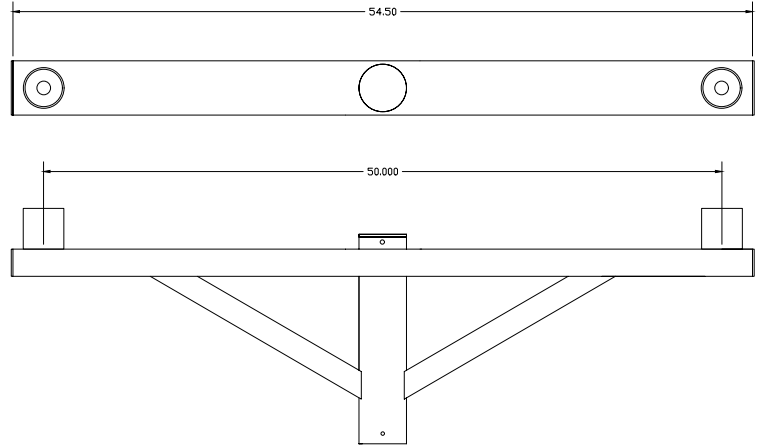
Single Pendant Pole Mount
DLPMB12SGMPEN

DLPMB12

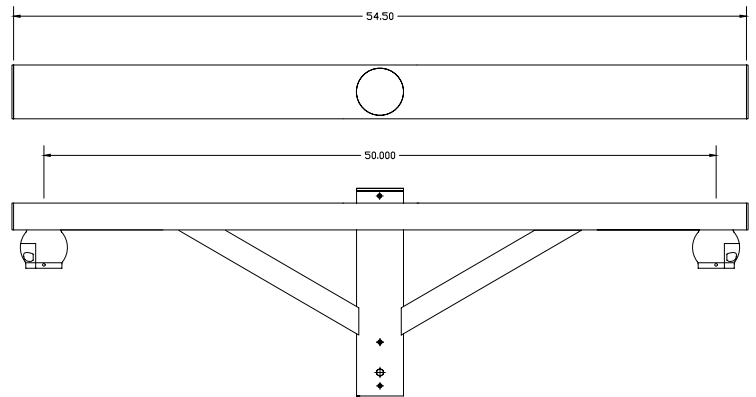
Contemporary Arms



Dimensions



**Double Post Top Pole Mount
DLPMB12DBPMTEN**



**Double Pendant Pole Mount
DLPMB12DBPMPEN**