



EPA: 1.7
WEIGHT: 26 lbs.

Specifications and Features:

Radiant™ LED

- Conformal Coating LED light engine
- CCT: Amber, LPS (1800K), 2200K, 2700K, 3000K, 4000K, 5000K
- Static Colors Available - Contact Factory

Distribution

- Types I* II, III, IV, V (Type I available in 70w & higher only)
- Full Cutoff (No Lens option only)

Electrical

- Electronic Driver, 120-277V, 50/60Hz or 347/480V, 50/60Hz
- 0-10V Dimmable Driver
- Standard Surge Protection included (6kV line-line; 10k-V line-earth)

Controls (Adder)

- Button eye photo control (PC)
- 7-pin twist-lock receptacle (PCR7) - mounts on top with GF26 (Y)
- 3-pin twist-lock receptacle (PCR3)

Housing

- Cast aluminum cage, roof and 3" slip fitter

Finish

- Super durable polyester powder coat finish. Custom finishes available, including patinas and all RAL colors.

Listings & Ratings

- ETL listed to UL 1598 standard for wet location
- LED is IP66 Rated

Warranty

- 5 year limited warranty



Quick Ship

QUICK SHIP Options in **RED**

Order Information Example: **CITNL60W4KU3ANNBK**

CIT

| Model | Globe/Lens | LED Module | Voltage | Distribution | Finial | Mounting | Options | Finish (Standard Colors) |
|--------------|---|--|--|--|---|--|---|--|
| CIT=Citation | NL =No Secondary Lens CA =Clear Acrylic CP =Clear Polycarbonate FA =Frosted Acrylic FP =Frosted Polycarbonate TG =Flat Tempered Glass, Clear FG =Flat Tempered Glass, Frosted WA =White (Opal) Acrylic PA =Pattern Acrylic | See Chart on Page 2* *Amber, LPS and 2200K not available for Quick Ship | U =120-277V H =347/480V | 1 =Type I* 2 =Type II 3 =Type III 4 =Type IV 5 =Type V *70W & above only | A =GF1 B =GF2 C =GF3 D =GF4 H =GF8 S =GF21 U =GF23 V =GF24 Y =GF26 N =None | N =None (Standard Post Mount) PEN =Pendant Mount CWB6 =Cast Wall Bracket for 6" Wall Mount CWB15 =Cast Wall Bracket for 15" Wall Mount SCROLLS =Scrolls | N =None PC =Button Eye Photo Control GCL =Glass Chimney, Large PCR3 =3 Pin Twist Lock Receptacle (photo cell not included) PCR7 =7 Pin Twist Lock Receptacle (photo cell not included)* *Must use GF26 (Y) Finial | BK =Black BZ =Bronze DBZ =Dark Bronze WH =White GR =Green SM =Silver Metallic GY =Light Gray TBK =Textured Black CC =Custom Color (Consult Factory) |



12" Radiant™



8" Radiant™

Lumen Output for Citation Radiant

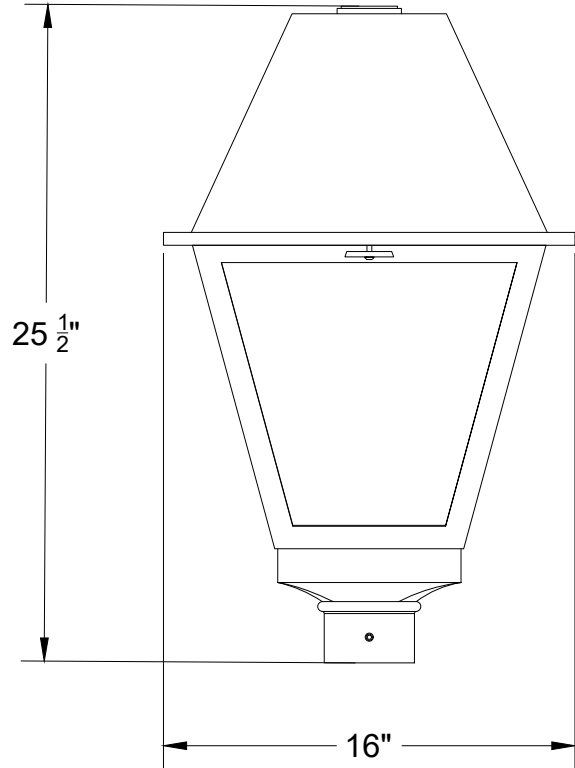
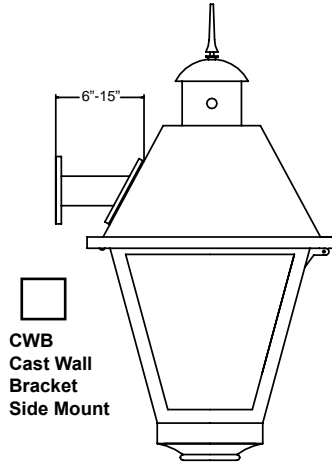
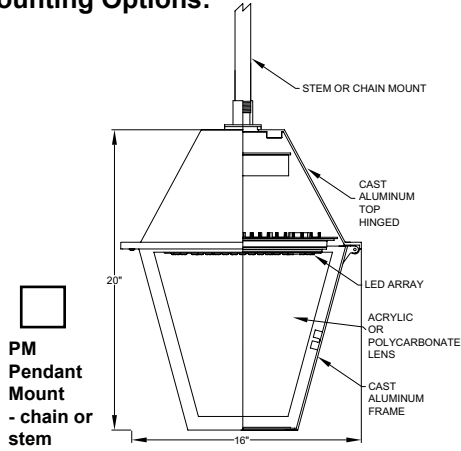
| | | | No Lens | | | | Clear Lens | | | | Frosted | | | |
|-----|------------|-------------|---------|--------|--------|--------|------------|--------|--------|--------|---------|--------|--------|--------|
| CCT | LED Module | Input Watts | Type 2 | Type 3 | Type 4 | Type 5 | Type 2 | Type 3 | Type 4 | Type 5 | Type 2 | Type 3 | Type 4 | Type 5 |
| 5K | 40W5K | 40 | 4036 | 4110 | 4178 | 4288 | 3899 | 3933 | 3998 | 4093 | 3749 | 3781 | 3843 | 3949 |
| | 50W5K | 50 | 5047 | 5091 | 5175 | 5312 | 4830 | 4872 | 4952 | 5070 | 4643 | 4684 | 4761 | 4892 |
| | 60W5K | 60 | 6008 | 6060 | 6160 | 6323 | 5749 | 5799 | 5895 | 6036 | 5528 | 5576 | 5667 | 5824 |
| | 70W5K | 70 | 7068 | 7130 | 7247 | 7439 | 6764 | 6823 | 6935 | 7101 | 6503 | 6560 | 6668 | 6851 |
| | 80W5K | 80 | 8072 | 8142 | 8276 | 8496 | 7725 | 7792 | 7920 | 8110 | 7426 | 7491 | 7614 | 7824 |
| 4K | 90W5K | 90 | 9083 | 9162 | 9313 | 9559 | 8692 | 8767 | 8912 | 9125 | 8356 | 8429 | 8568 | 8804 |
| | 40W4K | 40 | 3844 | 3877 | 3941 | 4046 | 3678 | 3710 | 3771 | 3862 | 3536 | 3567 | 3626 | 3726 |
| | 50W4K | 50 | 4807 | 4848 | 4928 | 5059 | 4600 | 4640 | 4716 | 4829 | 4422 | 4460 | 4534 | 4659 |
| | 60W4K | 60 | 5722 | 5772 | 5867 | 6022 | 5476 | 5523 | 5614 | 5749 | 5264 | 5310 | 5398 | 5546 |
| | 70W4K | 70 | 6732 | 6790 | 6902 | 7085 | 6442 | 6498 | 6605 | 6763 | 6193 | 6247 | 6350 | 6525 |
| 3K | 80W4K | 80 | 7688 | 7755 | 7882 | 8091 | 7357 | 7421 | 7543 | 7723 | 7073 | 7134 | 7252 | 7452 |
| | 90W4K | 90 | 8650 | 8726 | 8869 | 9104 | 8278 | 8350 | 8487 | 8690 | 7958 | 8028 | 8160 | 8385 |
| | 40W3K | 40 | 3690 | 3722 | 3784 | 3884 | 3531 | 3562 | 3621 | 3707 | 3395 | 3424 | 3481 | 3577 |
| | 50W3K | 50 | 4614 | 4654 | 4731 | 4856 | 4416 | 4454 | 4527 | 4636 | 4245 | 4282 | 4353 | 4472 |
| | 60W3K | 60 | 5493 | 5541 | 5632 | 5781 | 5257 | 5302 | 5390 | 5519 | 5054 | 5098 | 5182 | 5324 |
| 27K | 70W3K | 70 | 6463 | 6519 | 6626 | 6802 | 6184 | 6238 | 6341 | 6492 | 5946 | 5997 | 6096 | 6264 |
| | 80W3K | 80 | 7380 | 7444 | 7567 | 7767 | 7062 | 7124 | 7241 | 7414 | 6790 | 6849 | 6962 | 7153 |
| | 90W3K | 90 | 8304 | 8377 | 8515 | 8740 | 7947 | 8016 | 8148 | 8343 | 7640 | 7707 | 7833 | 8049 |
| | 40W27K | 40 | 3460 | 3490 | 3547 | 3641 | 3311 | 3339 | 3394 | 3476 | 3183 | 3210 | 3263 | 3353 |
| | 50W27K | 50 | 4326 | 4364 | 4435 | 4553 | 4140 | 4176 | 4244 | 4346 | 3980 | 4014 | 4081 | 4193 |
| 27K | 60W27K | 60 | 5150 | 5195 | 5280 | 5420 | 4928 | 4971 | 5053 | 5174 | 4738 | 4779 | 4858 | 4992 |
| | 70W27K | 70 | 6059 | 6111 | 6212 | 6377 | 5798 | 5848 | 5945 | 6087 | 5574 | 5622 | 5715 | 5873 |
| | 80W27K | 80 | 6919 | 6979 | 7094 | 7282 | 6621 | 6679 | 6789 | 6951 | 6366 | 6421 | 6527 | 6706 |
| | | | 90W27K | 90 | 7785 | 7853 | 7982 | 8194 | 8450 | 8715 | 9039 | 9314 | 9599 | 9884 |

**20% LLF for White/Opal Lens

Please refer to fixture's IES files for detailed information. Subject to change.

Contact the factory for Amber, LPS and 2200K lumen output

Mounting Options:



Finials



GF1 - 6.5"



GF2 - 6"



GF3 - 6"



GF4 - 6"



GF8 - 4"



GF21 - 8"



GF23 - 8.5"



GF24 - 4.75"



GF26 - 4.25"